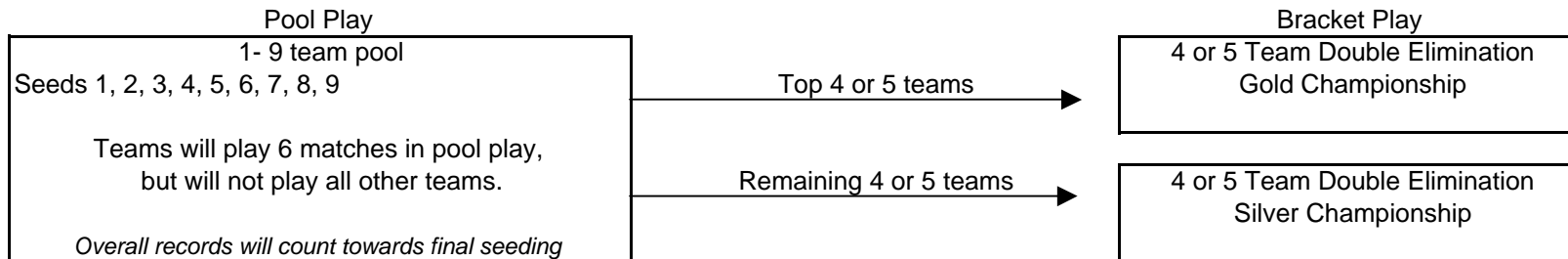


2009 HWSG Men's 70 Tournament - 9 teams

Pool play is 3 games to 21. Double elimination bracket play is best 2 out of 3 0-25, deciding 0-15.



Determination of which bracket will be gold and which will be silver will be after the completion of pool play.

- | | |
|--------------------|----------------------|
| 1 Spike Force 70 | 6 Strategy 3 |
| 2 Rusty's 70 | 7 Buckeye Northcoast |
| 3 MAC Magic | 8 MileHi Club |
| 4 From All Over 70 | 9 Puget Sound 70's |
| 5 High Landers | |

| FR 9 | Court 5 | ct 5 refs | Court 6 | ct 6 refs | Court 7 | ct 7 refs |
|----------|----------|-----------|----------|-----------|------------------|--------------|
| 8:00 AM | M7 1 x 6 | M7 4 | M7 2 x 8 | M7 5 | M7 3 x 9 | M7 7 |
| 9:00 AM | M7 1 x 9 | M7 6 | M7 4 x 7 | M7 2 | M7 3 x 5 | M7 8 |
| 10:00 AM | M7 4 x 6 | M7 1 | M7 5 x 8 | M7 3 | M7 2 x 7 | M7 9 |
| 11:00 AM | xxxxx | xxx | M7 8 x 9 | M7 6 | M76 1 x 3 | M76 2 |
| 12:00 PM | M7 1 x 3 | M7 2 | M7 6 x 9 | M7 5 | M76 2 x 3 | M76 1 |
| 1:00 PM | M7 2 x 4 | M7 1 | M7 5 x 7 | M7 3 | M76 1 x 2 | M76 3 |

| SA 10 | Court 5 | ct 5 refs | Court 6 | ct 6 refs | Court 7 | ct 7 refs |
|----------|----------|-----------|----------|-----------|------------------|--------------|
| 8:00 AM | M7 1 x 5 | M7 6 | M7 3 x 7 | M7 2 | M7 4 x 9 | M7 8 |
| 9:00 AM | M7 5 x 6 | M7 4 | M7 2 x 3 | M7 7 | M7 1 x 8 | M7 9 |
| 10:00 AM | M7 6 x 2 | M7 5 | M7 7 x 8 | M7 1 | M7 2 x 7 | M7 9 |
| 11:00 AM | xxxxx | xxx | M7 6 x 8 | M7 9 | M76 1 x 3 | M76 2 |
| 12:00 PM | M7 4 x 5 | M7 6 | M7 7 x 9 | M7 8 | M76 2 x 3 | M76 1 |
| 1:00 PM | M7 3 x 4 | M7 5 | M7 1 x 2 | M7 7 | M76 1 x 2 | M76 3 |

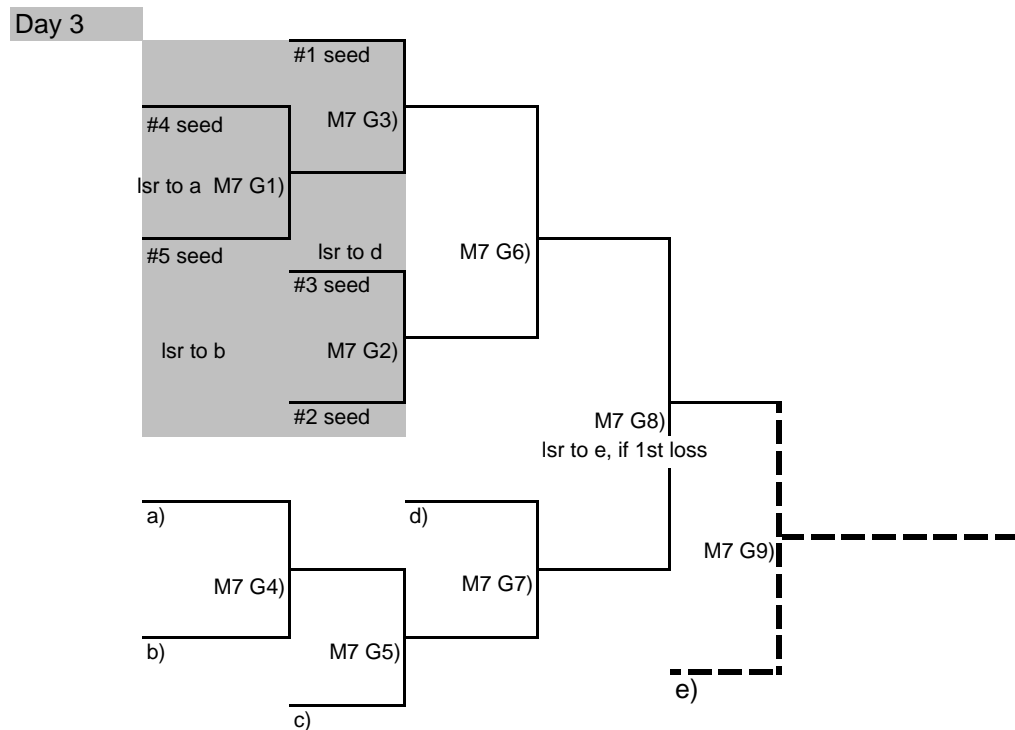
2009 HWSG Men's 70 Tournament - 9 teams

Pool play is 3 games to 21. Double elimination bracket play is best 2 out of 3 0-25, deciding 0-15.

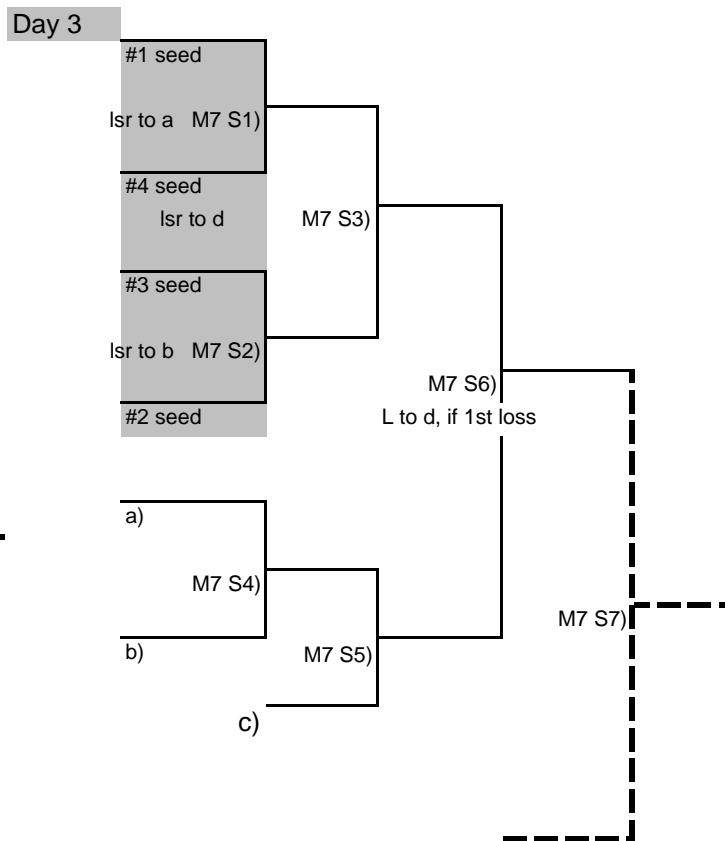
| MO 12 | Court 6 | ct 6 refs | Court 7 | ct 7 refs |
|----------|----------|-------------|----------|-------------|
| 8:00 AM | M6 A5xB5 | B4 | M6 A6xB6 | B1 |
| 9:00 AM | M7 G1 | M7 S1 | xxxxx | xxx |
| 10:00 AM | M7 S1 | lsr of prev | M7 S2 | M7 G2 |
| 11:00 AM | M7 G3 | lsr of prev | M7 G2 | lsr of prev |

| TU 13 | Court 3 | ct 3 refs | Court 4 | ct 4 refs |
|---------|---------|-------------|---------|-------------|
| 1:00 PM | M7 m4 | lsl of prev | M7 s3 | lsl of prev |
| 2:00 PM | M7 m5 | lsl of prev | M7 s4 | lsl of prev |
| 3:00 PM | M7 m6 | lsl of prev | M7 s5 | lsl of prev |
| 4:00 PM | M7 m7 | lsl of prev | M7 s6 | lsl of prev |
| 5:00 PM | M7 m8 | lsl of prev | | |

5 Team Double Elimination



4 Team Double Elimination



2009 HWSG Men's 70 Tournament - 9 teams

Pool play is 3 games to 21. Double elimination bracket play is best 2 out of 3 0-25, deciding 0-15.

d)